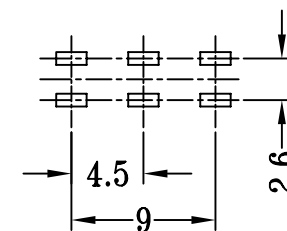
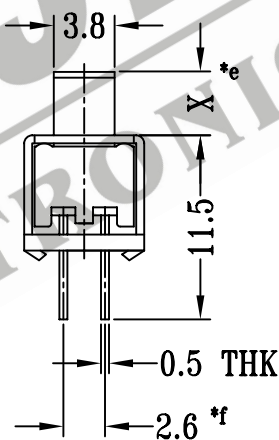
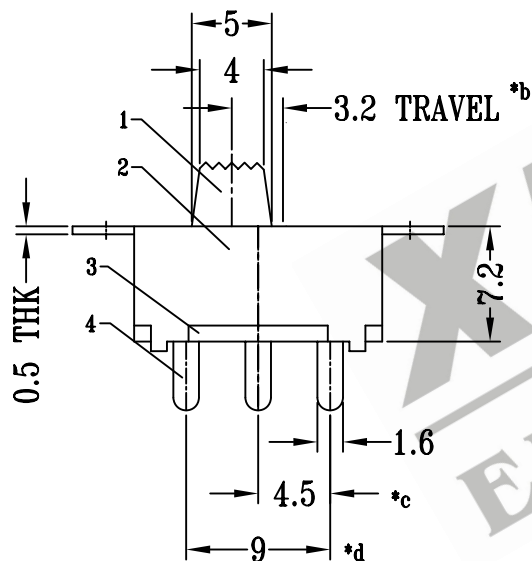
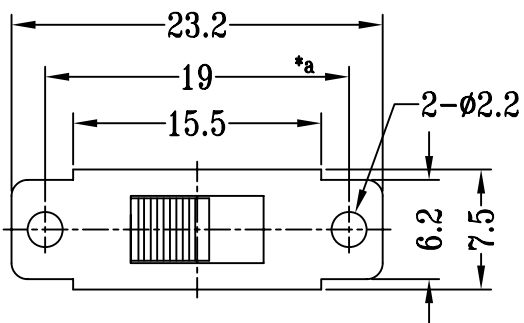
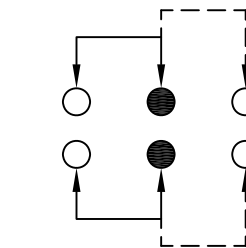


CAD FILE:



P.C.B LAYOUT



SCHEMATIC (NON-SHORTING)

注:带"*"表示关键尺寸(6个)

8					TOLERANCE	SHENZHEN XIEJIA ELECTRONICS CO.,LTD.					
7					UNLESS SPECIFIED						
6	SPRING	STEEL WIRE	2	TEMPER	WITHIN: 1.5±0.1mm	ISSUE	DATE	DESCRIPTIONS		APPD.	
5	CONTACT CLIP	BRASS STRIP	2	Ag PLATED	OVER : 1.5±0.2mm						
4	TERMINAL	BRASS STRIP	6	Ag PLATED OVER Ni PLATED		TITLE : VERTICAL SLIDE SWITCH		UNIT : MM	DRWG NO.: XJ-DR-SS22F57-00		
3	BASE	PHENOLIC RESIN	1	BLACK		MODEL: SS-22F57		SCALE: 2 : 1	DWN.	ZHOUYU	2003-12-14
2	FRAME	STEEL STRIP	1	Ni PLATED					CHK'D	FANGYING	2003-12-14
1	KNOB	POM	1	BLACK					APPD.	KANGXINAN	2003-12-14
NO.	PART NAME	MATERIAL	Q'TY	FINISHING	ALL MATERIALS MUST BE COMPLIANT TO ROHS						